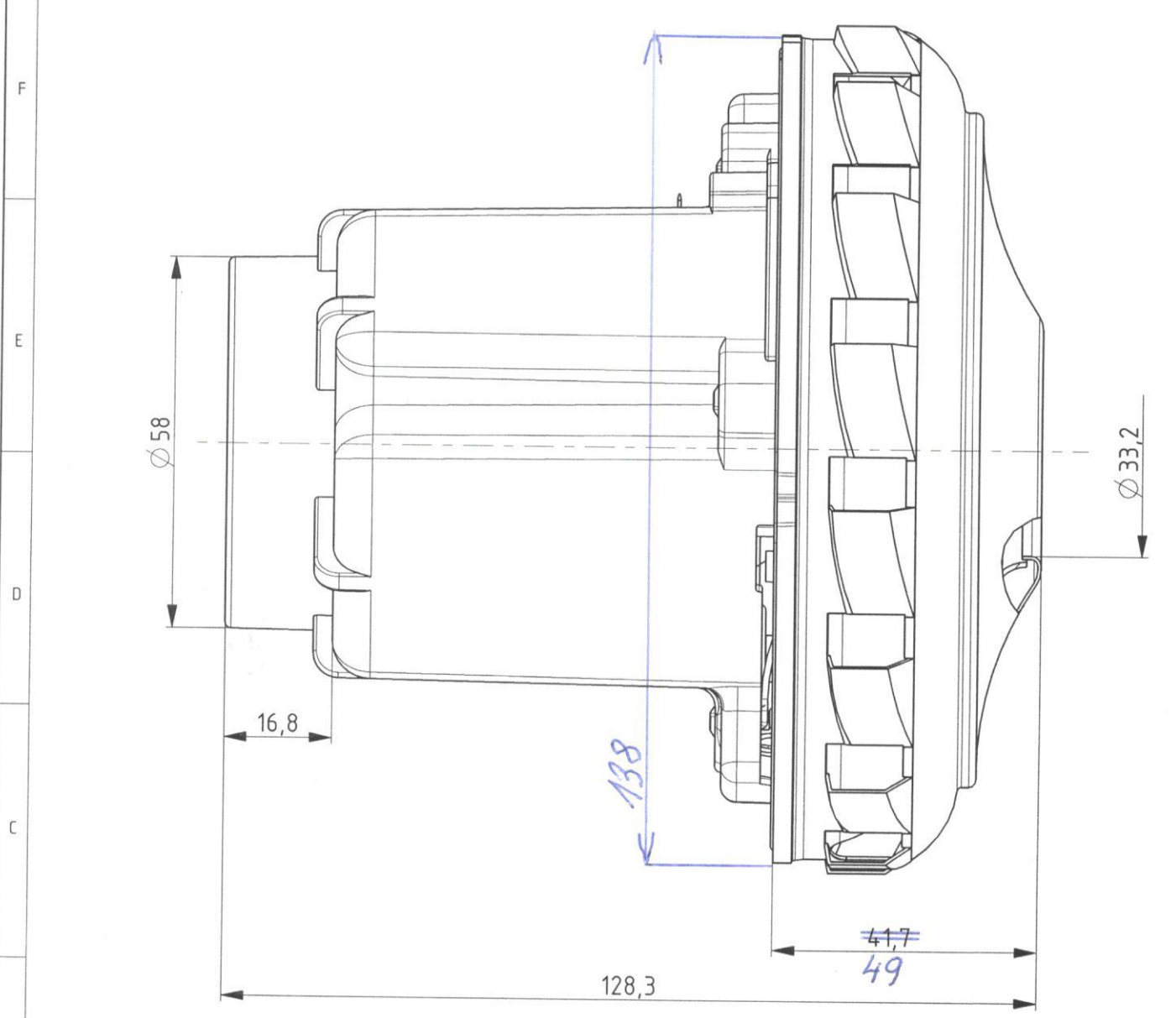


Izdelano s CAD/ProEngineer - no spreminjanje ni dovoljeno! Vsak prenos tretjim osebam ali uporaba v nedogovorjene namene ni dovoljena po zakonu o avtorskih pravicah.
 Made with CAD/ProEngineer - changing is not allowed! Any unauthorized copying of this drawing or unauthorized distribution of the information contained herein is prohibited.

| | | | | | | | |
|---------------|----------------|--------|--------------------------------------|---|--|---|--|
| 1 | | 2 | | 3 | | 4 | |
| G | NAPETOST | 230 V | DVOJNA IZOLACIJA DOUBLE INSULATED | | | | |
| | VOLTAGE | | | | | | |
| | FREKVENCA | 50 Hz | | | | | |
| | FREQUENCY | | | | | | |
| | NAZIVNA MOČ | 1450 W | | | | | |
| | NOMINAL POWER | | | | | | |
| | MAKSIMALNA MOČ | 1600 W | | | | | |
| MAXIMAL POWER | | | | | | | |



Oznake natisnjene na SE:
 Information stamped on VCM:

DOMEL 467.3.404-2
 230 V 50 Hz
 I.C.L.H
 YYWWD S NNNN
 MADE IN SLOVENIA

| A OSNOVNE ZNAČILNOSTI | | TYPICAL CHARACTERISTICS | |
|-----------------------|----------------------|-------------------------|--------------|
| IZVEDBA | ENOSTOPENJSKA | FAN SYSTEM | SINGLE STAGE |
| VLEŽAJENJE | DVA KROGLIČNA LEŽAJA | BEARINGS | DUAL BALL |
| VRSTA PRETOKA | MIMO MOTORJA | DISCHARGE | BY PASS |
| SMER VRTENJA | DESNA | DIRECTION OF ROTATION | CW |