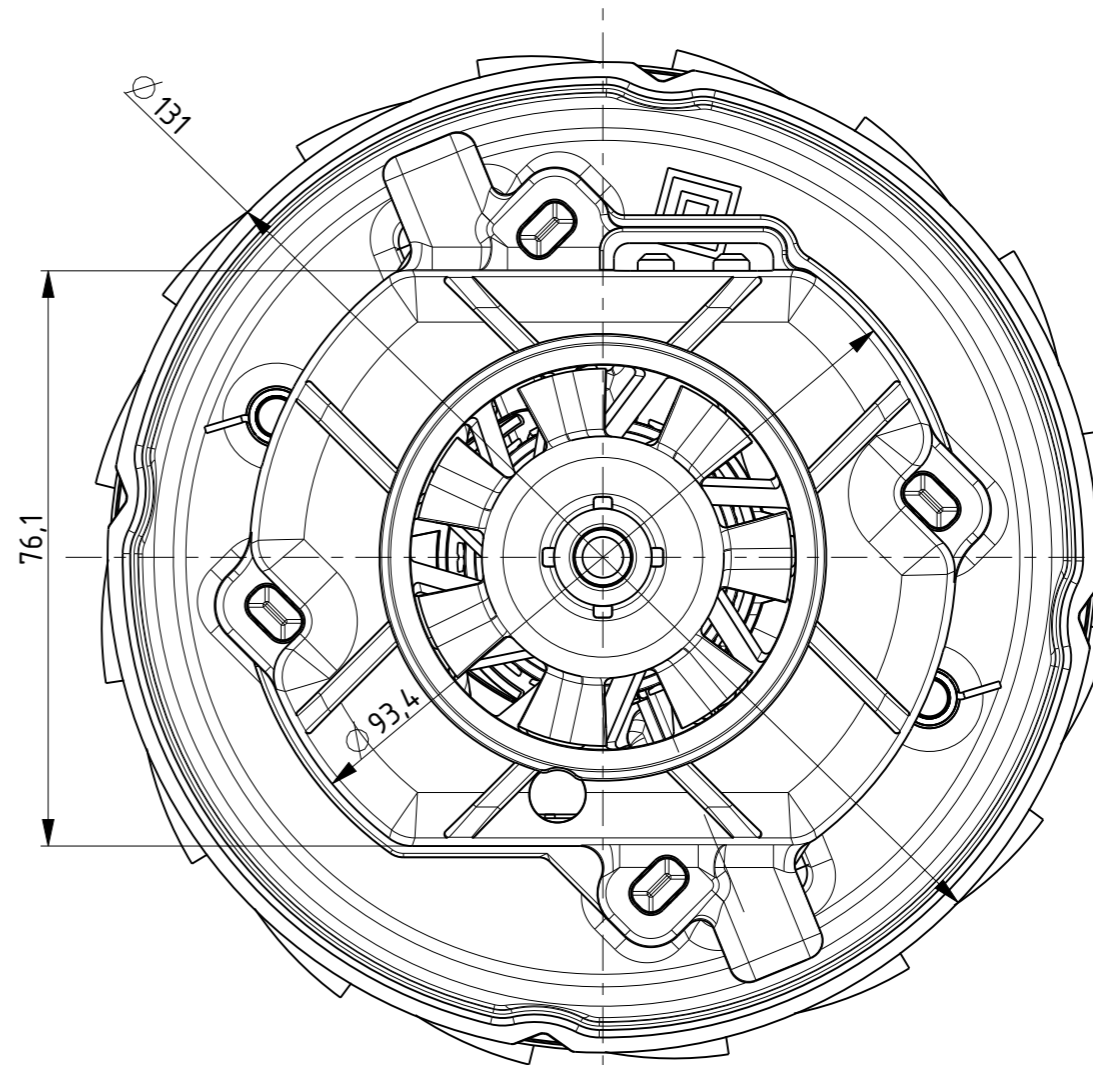
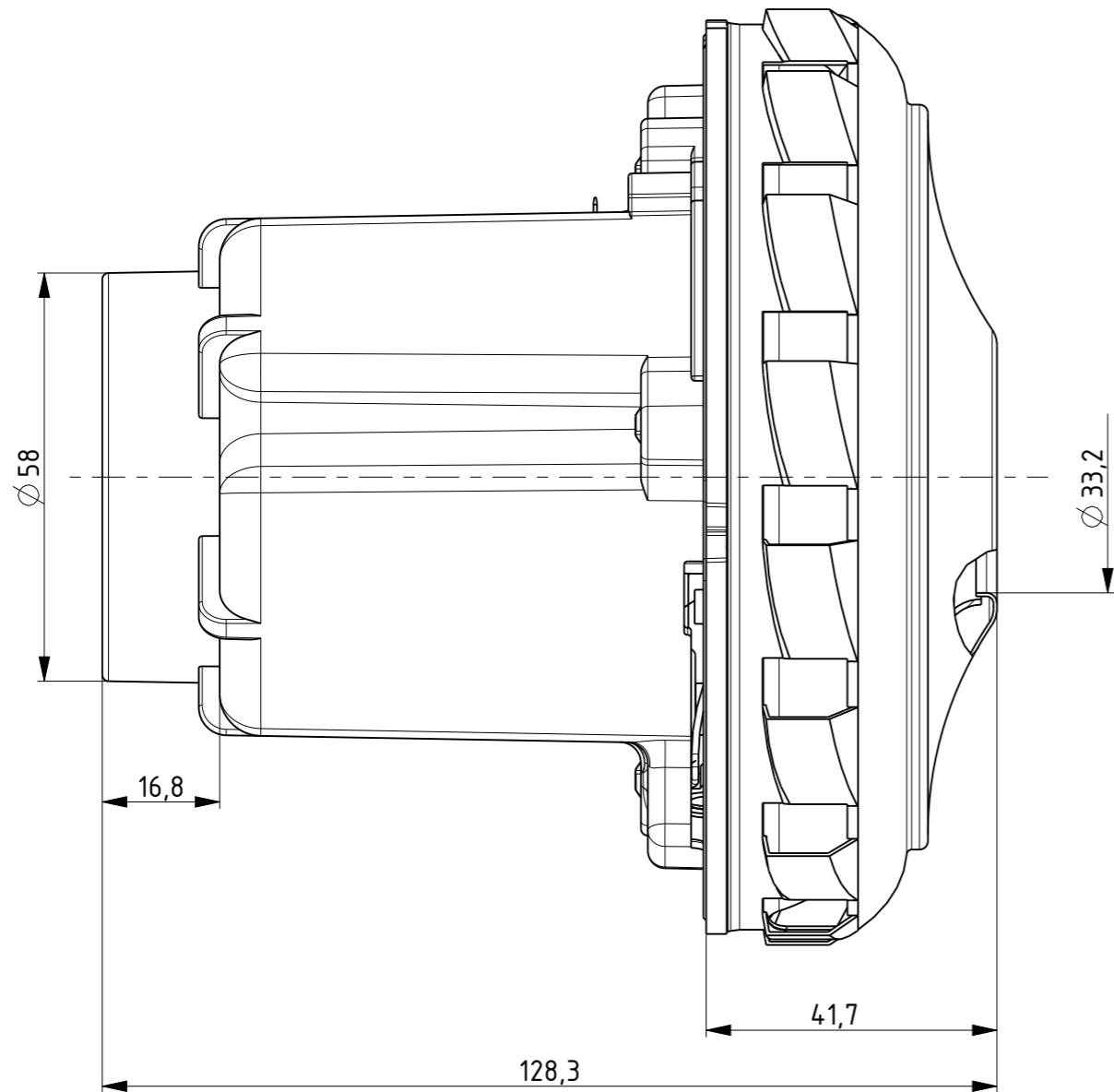


Izdelano s CAD/ProEngineer - ro-no spreminjanje ni dovoljeno! Vsak prenos tretjim osebam ali uporaba v nedogovorjene namene ni dovoljena po zakonu o avtorskih pravicah.
 Made with CAD/ProEngineer - changing is not allowed! Any unauthorized copying of this drawing or unauthorized distribution of the information contained herein is prohibited.

NAPETOST VOLTAGE	230 V
FREKVENCA FREQUENCY	50 Hz
NAZIVNA MOČ NOMINAL POWER	1450 W
MAKSIMALNA MOČ MAXIMAL POWER	1600 W

DVOJNA IZOLACIJA
DOUBLE INSULATED



Oznake natisnjene na SE:
Information stamped on VCM:

DOMEL 467.3.404-2
230 V 50 Hz
I.C.I.H
YYWWD S NNNN
MADE IN SLOVENIA



OSNOVNE ZNAČILNOSTI		TYPICAL CHARACTERISTICS	
IZVEDBA	ENOSTOPENJSKA	FAN SYSTEM	SINGLE STAGE
VLEŽAJENJE	DVA KROGLIČNA LEŽAJA	BEARINGS	DUAL BALL
VRSTA PRETOKA	MIMO MOTORJA	DISCHARGE	BY PASS
SMER VR TENJA	DESNA	DIRECTION OF ROTATION	CW

Tolerance odprtih mer Tolerances without individual indications				Povrlnska hrapavost Surface finishing		Merilo Scale		Original format ISO 5457 - A3	
ISO 2768 - m						1:2			
Datum/Date				Ime/Name		Naziv Title			
Izdelal Designed				29.10.10		Novinc M.		SESALNA ENOTA VACUUM CLEANER MOTOR	
Pregl. Verified				11.09.12		Rihtaršič J.			
Ozn. Mark				10417		11.09.12		Novinc M.	
Ift. obvestila Nr. of notice								Koda Code	
								467.3.404-2	
								List Sheet	
								3+	
								Stran Page	
								1	
								4673404002_SESALNA_ENOTA	

DOMEL

Otoki 21, 4228 @elezniki, Slovenija