

492.3.430

Vacuum cleaner motor performance

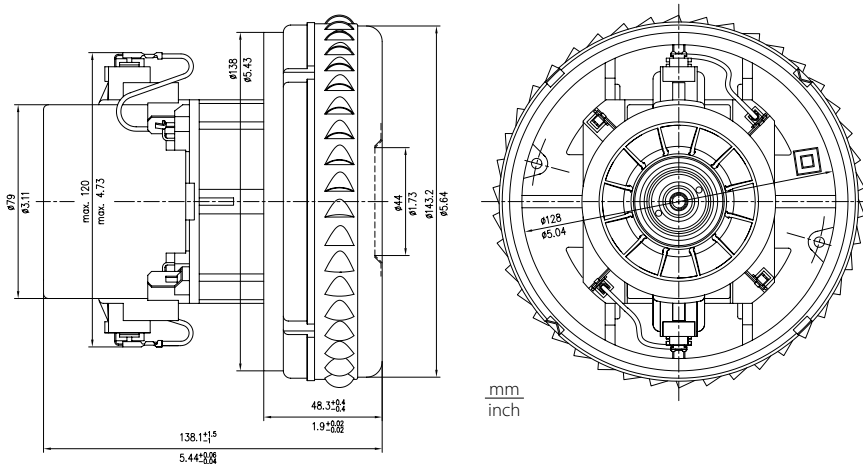
DOMEL®

Vacuum cleaner motors 492.3.430/ 1550W/ 230V/ 50Hz are used for wet and dry aspiration. Technical data and dimensions are given in the table. Vacuum cleaner motors consist of universal commutator motor and single fan stage. The rotor is supported with two ball bearings enabling vertical or horizontal installation of motor.

The motor is designed for insulation class 155 (F) and constructed according to EN 60335-1.

The motor has provision for grounding.

Max power 1750W



Dimensional and performance data are subject to change without notice.

Technical data:

Normal operation:	P_m	\geq	1320 W
Vacuum:	P_{max}	\geq	20,5 kPa 82,4 in H ₂ O
Air Flow:	Q_{max}	\geq	70 dm ³ /s 148 CFM
Air Power:	P_{2max}	\geq	550 W
Efficiency:	η_{max}	\geq	37 %
Mass:	m	=	1,94 kg

Voltage:	230 V
Frequency:	50 Hz
Nominal Power:	1550 W



Orifice		Current A	Input Power W	Speed min ⁻¹	Pressure		Air Flow		Air power W	Efficiency %
mm	in*				kPa	in H ₂ O	dm ³ /s	CFM		
40	1 1/2	8,23	1771	25997	4,9	19,7	66,9	141,8	328	18,5
30	1 1/8	7,96	1713	26376	10,9	43,6	55,2	116,9	599	35,0
23	7/8	7,22	1560	27638	15,6	62,8	38,5	81,5	601	38,5
19	3/4	6,79	1470	28449	17,0	68,5	27,4	58,0	467	31,7
16	5/8	6,40	1391	29188	18,2	73,1	20,1	42,5	365	26,2
13	1/2	5,98	1304	30099	19,3	77,6	13,6	28,9	263	20,2
10	3/8	5,54	1212	31035	20,3	81,6	8,3	17,6	169	13,9
6,5	1/4	5,17	1136	31797	21,0	84,5	3,6	7,6	76	6,7
0	0	4,91	1081	32538	22,1	88,8	0,0	0,0	0	0,0

Data above represent the performance of an average motor sample. Individual data may vary due to normal manufacturing variations.

* Orifice in inch is only approximative.