

# 462.3.451-17

## Vacuum cleaner motor performance

# DOMEL®

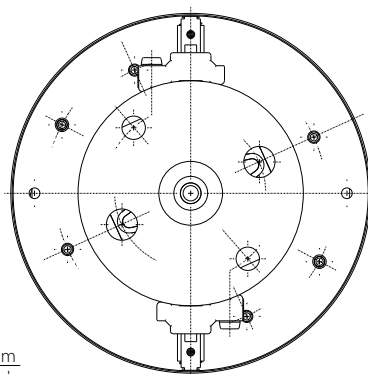
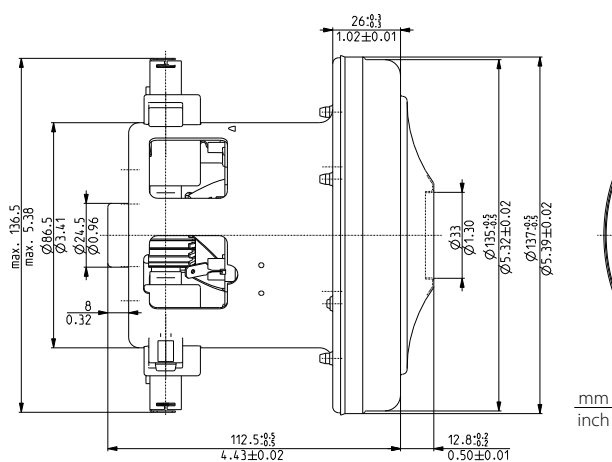
Vacuum cleaner motors with high efficiency 462.3.451-17/ 1250W/ 230V/ 50Hz are used for dry aspiration. Technical data and dimensions are given in the table. Vacuum cleaner motors consist of universal commutator motor and single fan stage. The rotor is supported with two ball bearings enabling vertical or horizontal installation of motor. The motor is designed for insulation class 155 (F) and constructed according to EN 60335-1.

### Technical data:

Normal operation:	$P_m$	$\geq$	1060	W
Vacuum:	$P_{max}$	$\geq$	26,5 96,5	kPa in H <sub>2</sub> O
Air Flow:	$Q_{max}$	$\geq$	54 95	dm <sup>3</sup> /s CFM
Air Power:	$P_{2max}$	$\geq$	520	W
Efficiency:	$\eta_{max}$	$\geq$	44	%
Mass:	$m$	=	1,53	kg

## Max power 1400W

Voltage:	230 V
Frequency:	50 Hz
Nominal Power:	1250 W



Dimensional and performance data are subject to change without notice.

Orifice		Current A	Input Power W	Speed min <sup>-1</sup>	Pressure		Air Flow		Air power W	Efficiency %
mm	in*				kPa	in H <sub>2</sub> O	dm <sup>3</sup> /s	CFM		
40	1 1/2	5,94	1341	31204	3,0	12,0	52,5	111,1	156	11,6
30	1 1/8	5,77	1303	31692	7,9	31,9	47,6	100,8	377	29,0
23	7/8	5,44	1231	32780	14,6	58,7	37,3	79,1	545	44,3
19	3/4	5,11	1159	34281	18,9	76,1	28,7	60,8	544	46,9
16	5/8	4,80	1093	35702	21,9	88,2	21,8	46,1	478	43,7
13	1/2	4,47	1019	37311	24,4	98,1	15,1	32,0	369	36,2
10	3/8	4,12	941	39580	25,3	101,6	9,1	19,3	231	24,5
6,5	1/4	3,84	877	41279	26,0	104,6	4,0	8,4	103	11,8
0	0	3,61	827	43395	27,9	112,2	0,0	0,0	0	0,0

Data above represent the performance of an average motor sample. Individual data may vary due to normal manufacturing variations.

\* Orifice in inch is only approximative.