

463.3.402-4

Vacuum cleaner motor performance

DOMEL®

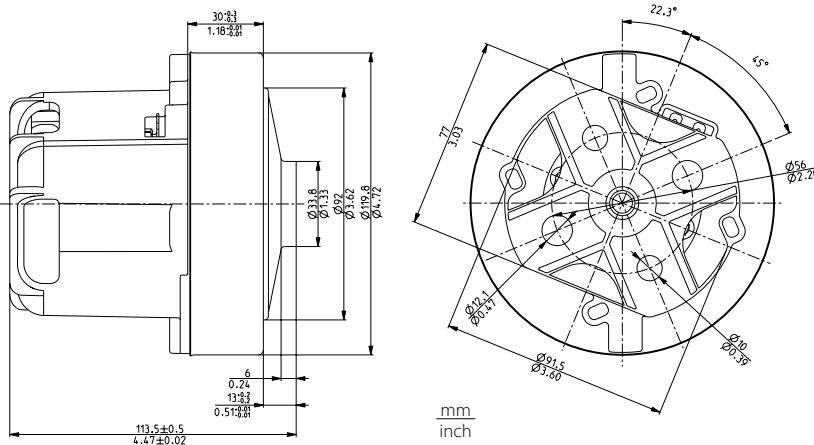
Vacuum cleaner motors with high efficiency 463.3.402-4 / 1150W / 240V / 50Hz are used for dry aspiration. Technical data and dimensions are given in the table. Vacuum cleaner motors consist of universal commutator motor and single fan stage. The rotor is supported with two ball bearings enabling vertical or horizontal installation of motor. The motor is designed for insulation class 180 (H) and constructed according to EN 60335-1.

Technical data:

Input Power:	P_{1max}	\geq	1100	W
Vacuum:	P_{max}	\geq	25,4 102,1	kPa in H ₂ O
Air Flow:	Q_{max}	\geq	48,0 101,7	dm ³ /s CFM
Air Power:	P_{2max}	\geq	458	W
Efficiency:	η_{max}	\geq	45	%
Mass:	m	$=$	1,20	kg

Max power 1150W

Voltage:	240 V
Frequency:	50 Hz
Max Power:	1150 W



Dimensional and performance data are subject to change without notice.

Orifice		Current	Input Power	Speed	Pressure		Air Flow		Air power	Efficiency
mm	in*	A	W	min ⁻¹	kPa	in H ₂ O	dm ³ /s	CFM	W	%
50	2	4,84	1152	36575	1,1	4,5	50,7	107,3	57	5,0
40	1 1/2	4,81	1146	36613	2,6	10,5	49,3	104,5	129	11,3
30	1 1/8	4,75	1131	37003	7,0	28,2	44,9	95,1	315	27,9
23	7/8	4,55	1084	37866	13,5	54,1	36,0	76,2	484	44,6
19	3/4	4,30	1027	39149	17,4	70,0	27,7	58,6	482	46,9
16	5/8	4,07	973	40657	20,6	82,8	21,2	44,9	436	44,9
13	1/2	3,80	909	42584	23,3	93,6	14,8	31,4	345	37,9
10	3/8	3,55	850	44777	25,2	101,4	9,1	19,3	230	27,1
6,5	1/4	3,28	787	47334	25,4	102,0	3,9	8,3	100	12,7
0	0	3,11	748	49228	26,7	107,4	0,0	0,0	0	0,0

Data above represent the performance of an average motor sample. Individual data may vary due to normal manufacturing variations.

* Orifice in inch is only approximative.