

463.3.405

Vacuum cleaner motor performance

DOMEL®

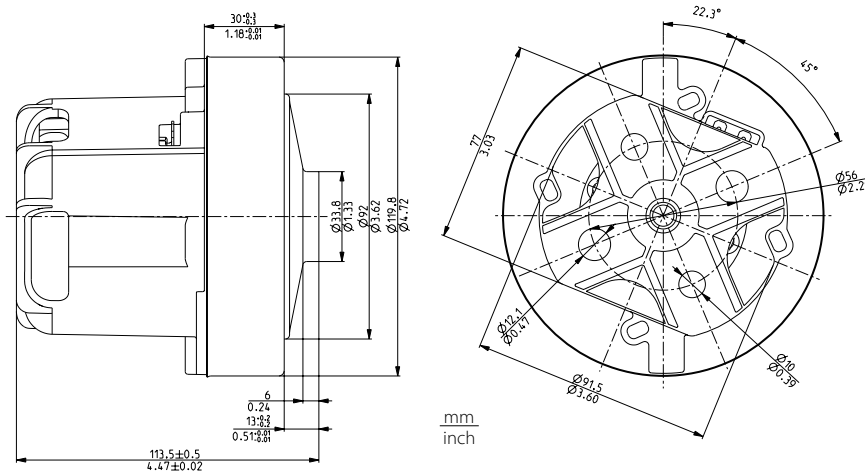
Vacuum cleaner motors with high efficiency 463.3.405/ 1800W/ 230V/ 50Hz are used for dry aspiration. Technical data and dimensions are given in the table. Vacuum cleaner motors consist of universal commutator motor and single fan stage. The rotor is supported with two ball bearings enabling vertical or horizontal installation of motor. The motor is designed for insulation class 180 (H) and constructed according to EN 60335-1.

Technical data:

Input Power:	P_{1max}	>=	1650	W
Vacuum:	P_{max}	>=	36,0 146,0	kPa in H ₂ O
Air Flow:	Q_{max}	>=	48 102	dm ³ /s CFM
Air Power:	P_{2max}	>=	670	W
Efficiency:	η_{max}	>=	44,6	%
Mass:	m	=	1,18	kg

Max power 1800W

Voltage:	226 V
Frequency:	50 Hz
Max Power:	1800 W



Dimensional and performance data are subject to change without notice.

Orifice		Current	Input Power	Speed	Pressure		Air Flow		Air power	Efficiency
mm	in*	A	W	min ⁻¹	kPa	in H ₂ O	dm ³ /s	CFM	W	%
40	1 1/2	7,96	1762	42180	2,5	10,1	48,3	102,4	122	6,9
30	1 1/8	7,78	1723	42740	7,0	28,1	44,8	94,9	313	18,2
23	7/8	7,39	1637	44060	14,9	60,0	37,7	79,9	563	34,4
19	3/4	6,97	1543	45720	21,9	88,0	30,6	64,8	670	43,4
16	5/8	6,51	1441	47640	27,0	108,6	23,8	50,4	643	44,6
13	1/2	6,00	1339	50220	31,2	125,2	16,7	35,4	521	38,9
10	3/8	5,49	1228	53280	32,4	130,0	10,1	21,4	327	26,7

Data above represent the performance of an average motor sample. Individual data may vary due to normal manufacturing variations.

* Orifice in inch is only approximative.