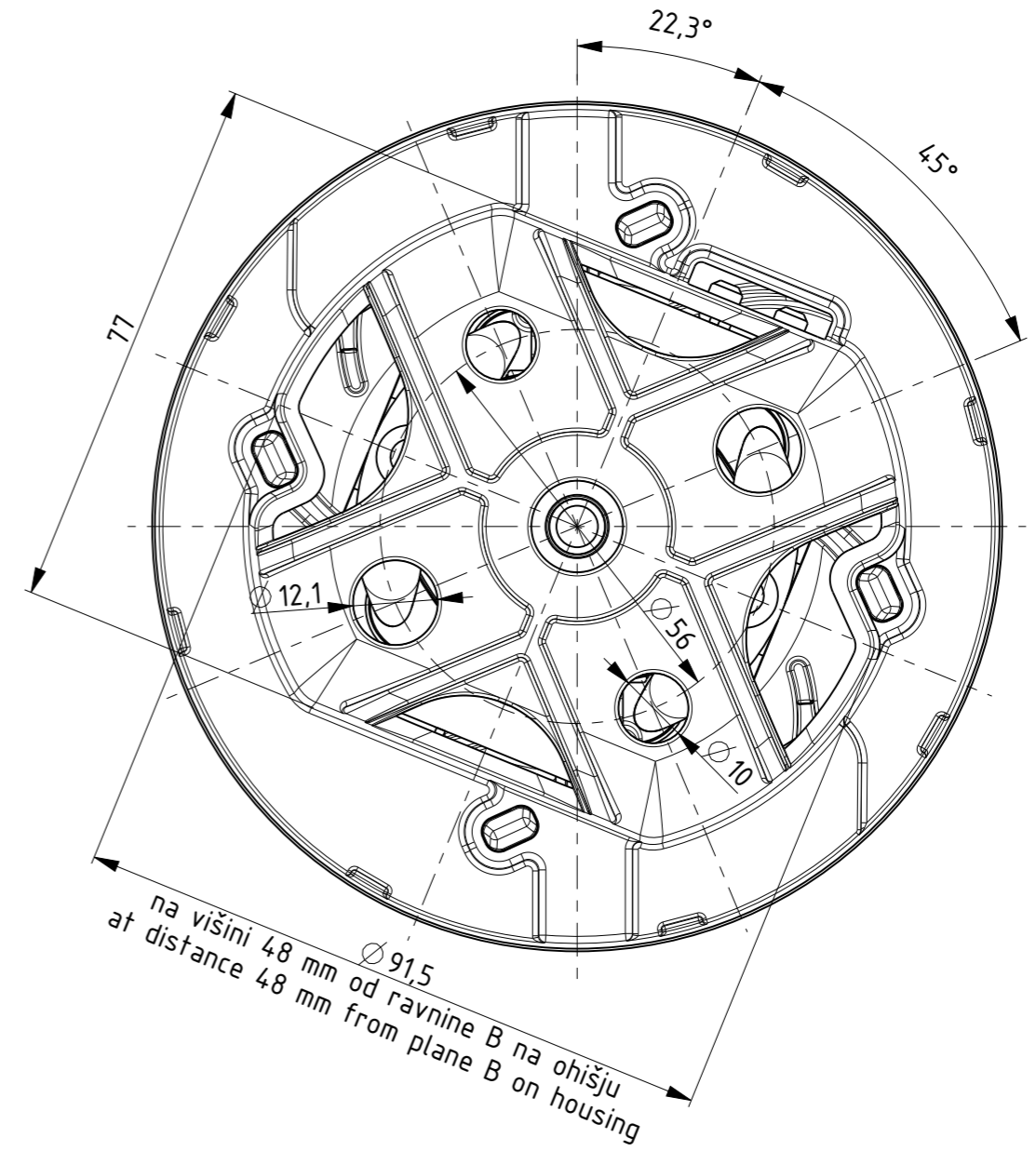
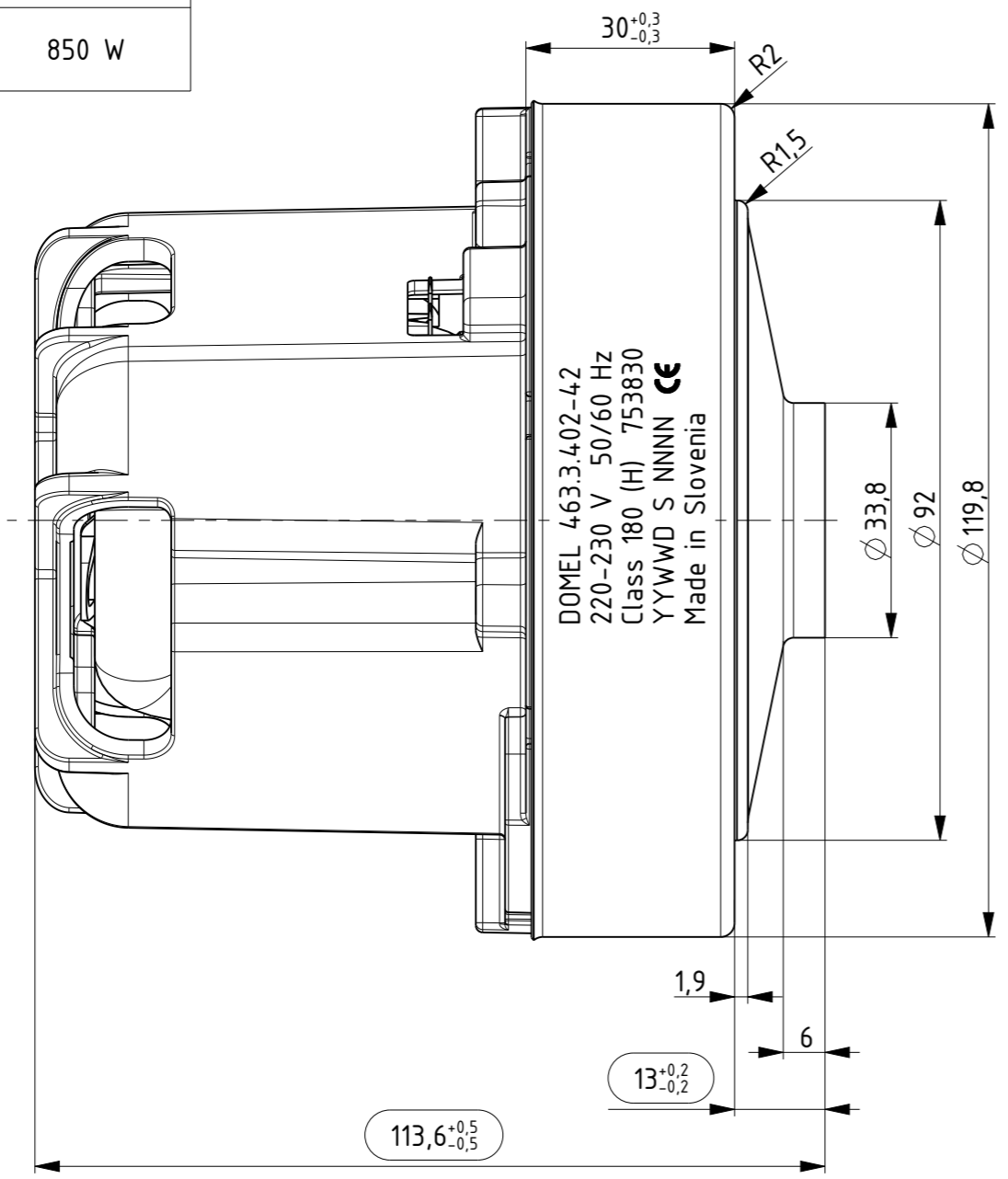


Izdelano s CAD/ProEngineer - ročno spreminjanje ni dovoljeno! Vsak prenos tretjim osebam ali uporaba v nedogovorjene namene ni dovoljena po zakonu o avtorskih pravicah.  
Made with CAD/ProEngineer - changing is not allowed! Any unauthorized copying of this drawing or unauthorized distribution of the information contained herein is prohibited.

1	2	3	4	5	6	7	8	9
NAPETOST VOLTAGE		220-230 V						
FREKVENCA FREQUENCY		50/60 Hz						
NAZIVNA MOČ NOMINAL POWER		800 W						
MAKSIMALNA MOČ MAXIMAL POWER		850 W						



○, \* - pomembna mera  
important dimension

OSNOVNE ZNAČILNOSTI		TYPICAL CHARACTERISTICS	
IZVEDBA	ENOSTOPENJSKA	FAN SYSTEM	SINGLE STAGE
ULEŽAJENJE	DVA KROGLIČNA LEŽAJA	BEARINGS	DUAL BALL
VRSTA PRETOKA	SKOZI MOTOR	DISCHARGE	THRU FLOW
SMER VR TENJA	DESNA	DIRECTION OF ROTATION	CW

Tolerance odprtih mer Tolerances without individual indications ISO 8015 ISO 2768 - mK		Površinska hrapavost Surface finishing		Merilo Scale <b>1:1</b>	Original format ISO 5457 - A3
Datum/Date		Ime/Name		Gradivo / Material	
Izdelal Designed 29.03.11		T. Čemažar		Naziv Title <b>SESALNA ENOTA VACUUM CLEANER MOTOR</b>	
Pregl. Verified 13.12.11		J. Rihtaršič		Koda Code <b>463.3.402-42</b>	
A0		10107		List Sheet 3+	
Ozn. Mark		Št. obvestila Nr. of notice		Stran Page 1	
Datum Date 13.12.11		Ime Name T. Čemažar		4633402042_SESALNA_ENOTA	
DOMEL® Otoki 21, 4228 Železniki, Slovenija					