

# 498.3.209

## Vacuum cleaner motor performance

# DOMEL®

Vacuum cleaner motors 498.3.209/ 850W/ 240V/ 50-60Hz are used for dry aspiration. Technical data and dimensions are given in the table. Vacuum cleaner motors consist of universal commutator motor and two fan stages. The rotor is supported with two ball bearings enabling vertical or horizontal installation of motor.

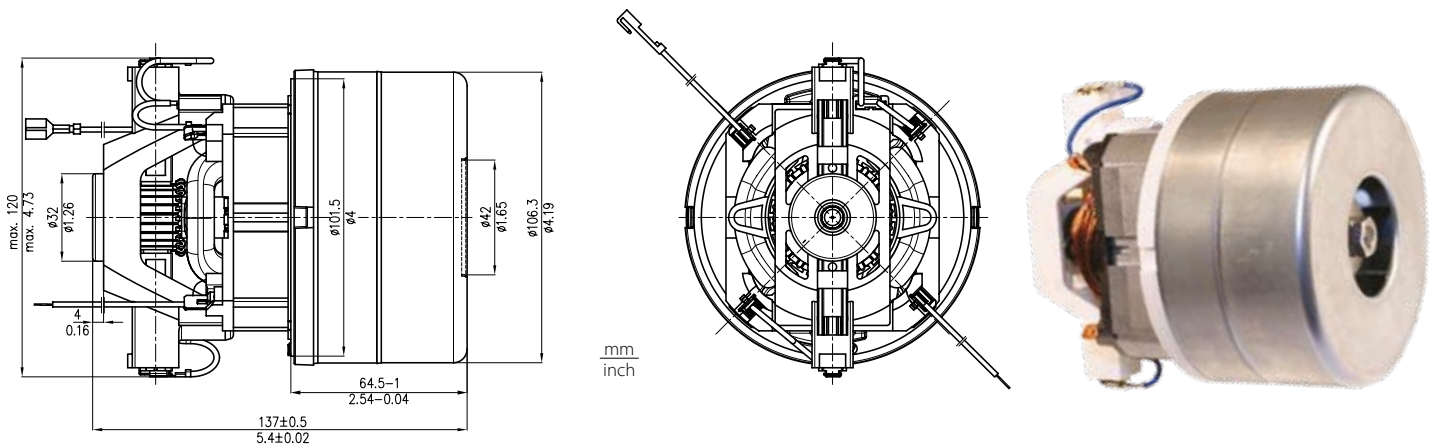
The motor is designed for insulation class 155 (F) and constructed according to EN 60335-1.

### Technical data:

Normal operation:	$P_m$	$\geq$	720 W
Vacuum:	$P_{max}$	$\geq$	19,0 kPa 76,4 in H <sub>2</sub> O
Air Flow:	$Q_{max}$	$\geq$	45 dm <sup>3</sup> /s 95 CFM
Air Power:	$P_{2max}$	$\geq$	290 W
Efficiency:	$\eta_{max}$	$\geq$	31 %
Mass:	$m$	=	1,50 kg

Voltage:	240 V
Frequency:	50/60 Hz
Nominal Power:	850 W

## Max power 1000W



Dimensional and performance data are subject to change without notice.

Orifice		Current	Input Power	Speed	Pressure		Air Flow		Air power	Efficiency
mm	in*	A	W	min <sup>-1</sup>	kPa	in H <sub>2</sub> O	dm <sup>3</sup> /s	CFM	W	%
40	1 1/2	4,29	986	25479	2,0	7,9	42,8	90,6	84	8,5
30	1 1/8	4,32	992	25338	5,3	21,3	39,2	83,1	208	21,0
23	7/8	4,21	967	25581	9,8	39,2	30,9	65,6	302	31,2
19	3/4	3,97	915	26331	12,4	49,8	23,7	50,1	293	32,0
16	5/8	3,68	851	27251	14,3	57,5	18,0	38,1	258	30,3
13	1/2	3,35	777	28523	16,2	65,2	12,6	26,7	205	26,4
10	3/8	3,03	704	29964	17,9	71,9	7,9	16,6	140	19,9
6,5	1/4	2,72	635	31467	19,0	76,4	3,5	7,3	66	10,3
0	0	2,38	560	33478	20,3	81,6	0,0	0,0	0	0,0

Data above represent the performance of an average motor sample. Individual data may vary due to normal manufacturing variations.

\* Orifice in inch is only approximative.